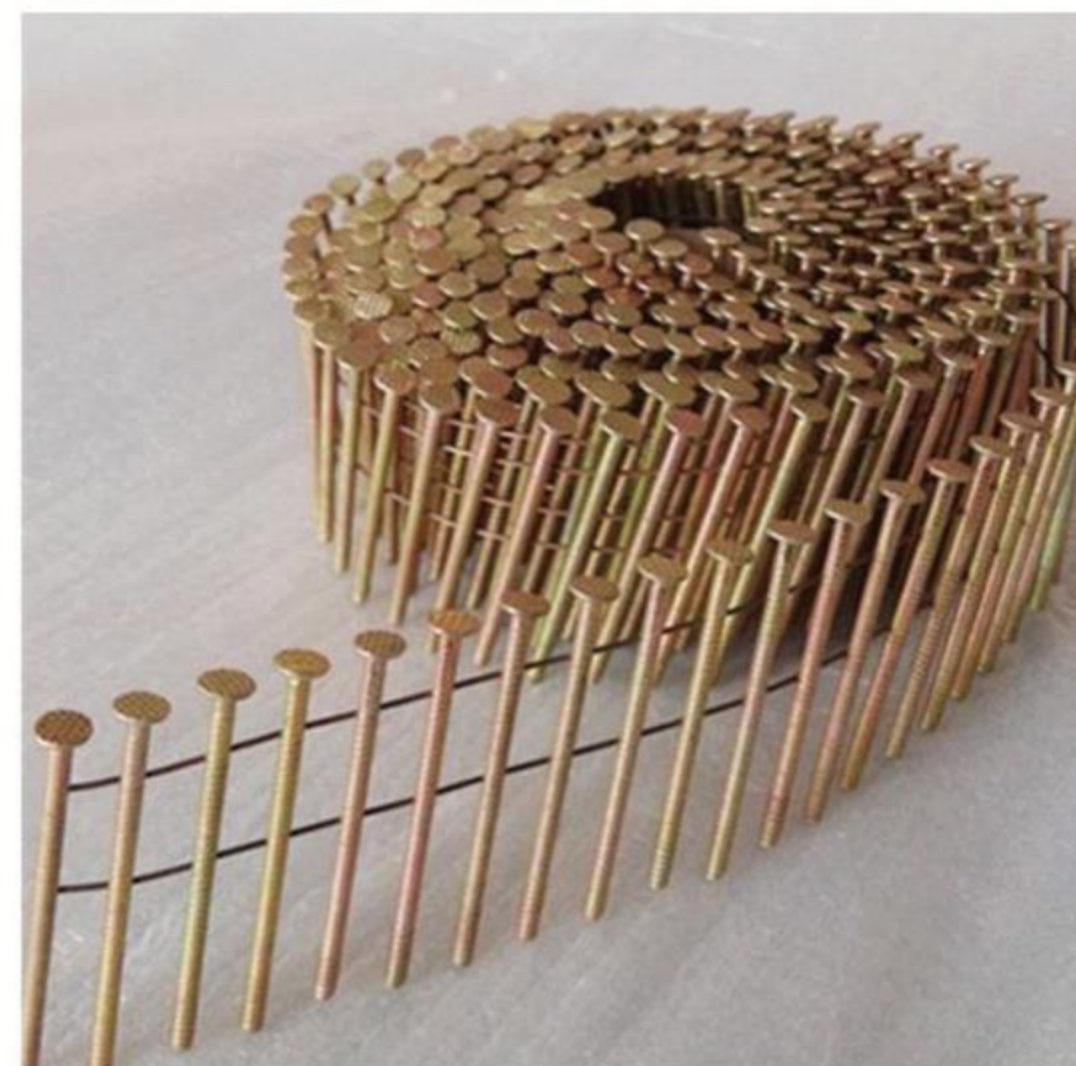


BUSINESS BROCHURE DESIGN

品牌/卓越/专注/领航/未来



SINCERITY SERVICE SUCCESS



**SSS HARDWARE INDUSTRY CO.,LTD**

Add: RM 713-714 BLDG 21, Oriental New World , Chaohu City, Anhui, China

Tel: 0086 - 551 - 8281 9016

Email: [info@3shardware.com](mailto:info@3shardware.com)

Mob/Whatsapp/Wechat: +86 177 5697 9699

Website: [www.3shardware.com](http://www.3shardware.com)

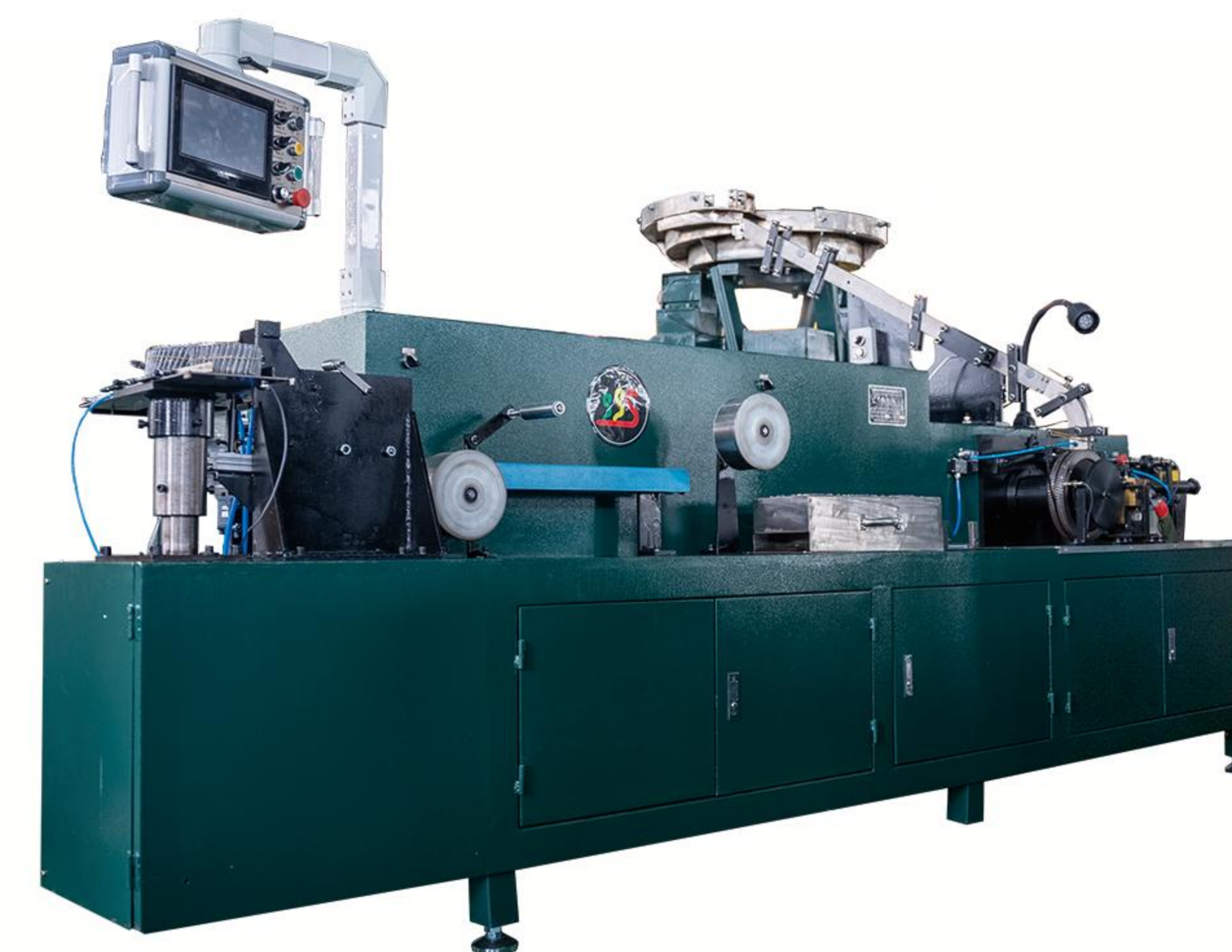
**HIGH SPEED NAIL  
MAKING MACHINE**

SSS HARDWARE INDUSTRY CO. , LTD



### ADVANTAGES

- 1.Low Detective Rate within 1/100000.
- 2.Double-Dies and Double-Punch, which makes the nail cap more smooth.
- 3.Pendulum Nail Cutter Holder in high precision, which shortens the distance, reduces mechanical wear, more time-saving and labor saving.
- 4.Unique feeding and rewinding structure, which in high-precision. The error of nail length is controlled within 0.3mm.
- 5.Easy operation and tooling. One worker can operate 6-10 sets of machine.



**Coil Nail Making Machine**

Nail dia: 1.6-4.1mm  
Nail length: 30-100mm  
Output: 1800-2200pcs/min



**Thread Rolling Machine**

Nail dia: 1.8-4.2mm  
Nail length: 30-100mm  
Output: 1000-3000pcs/min  
Power: 10kw



**Wire Drawing Machine**

Power of single drum: 18.5kw  
Dia of inlet wire: 6.5mm  
Max drawing speed: 300meter/min

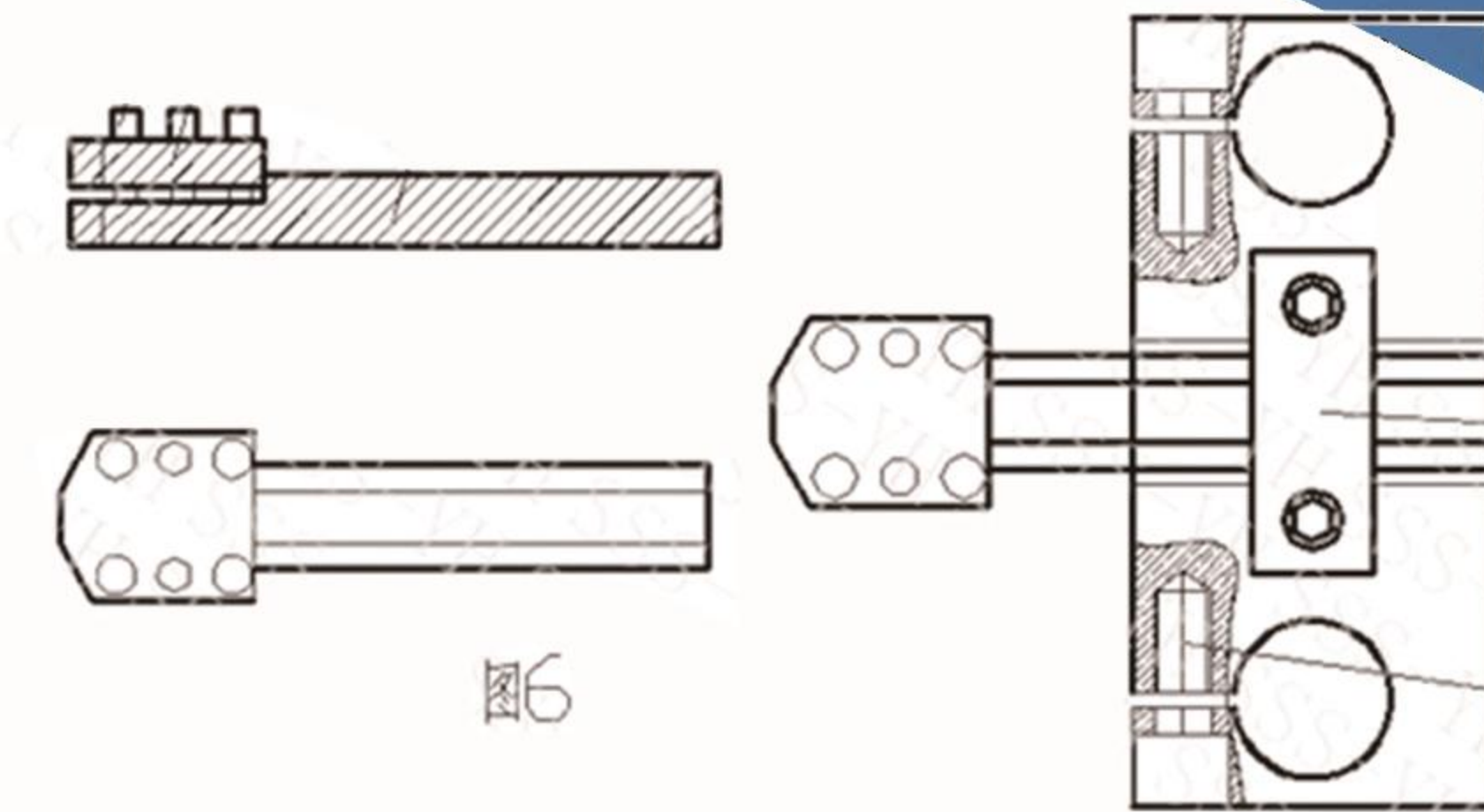
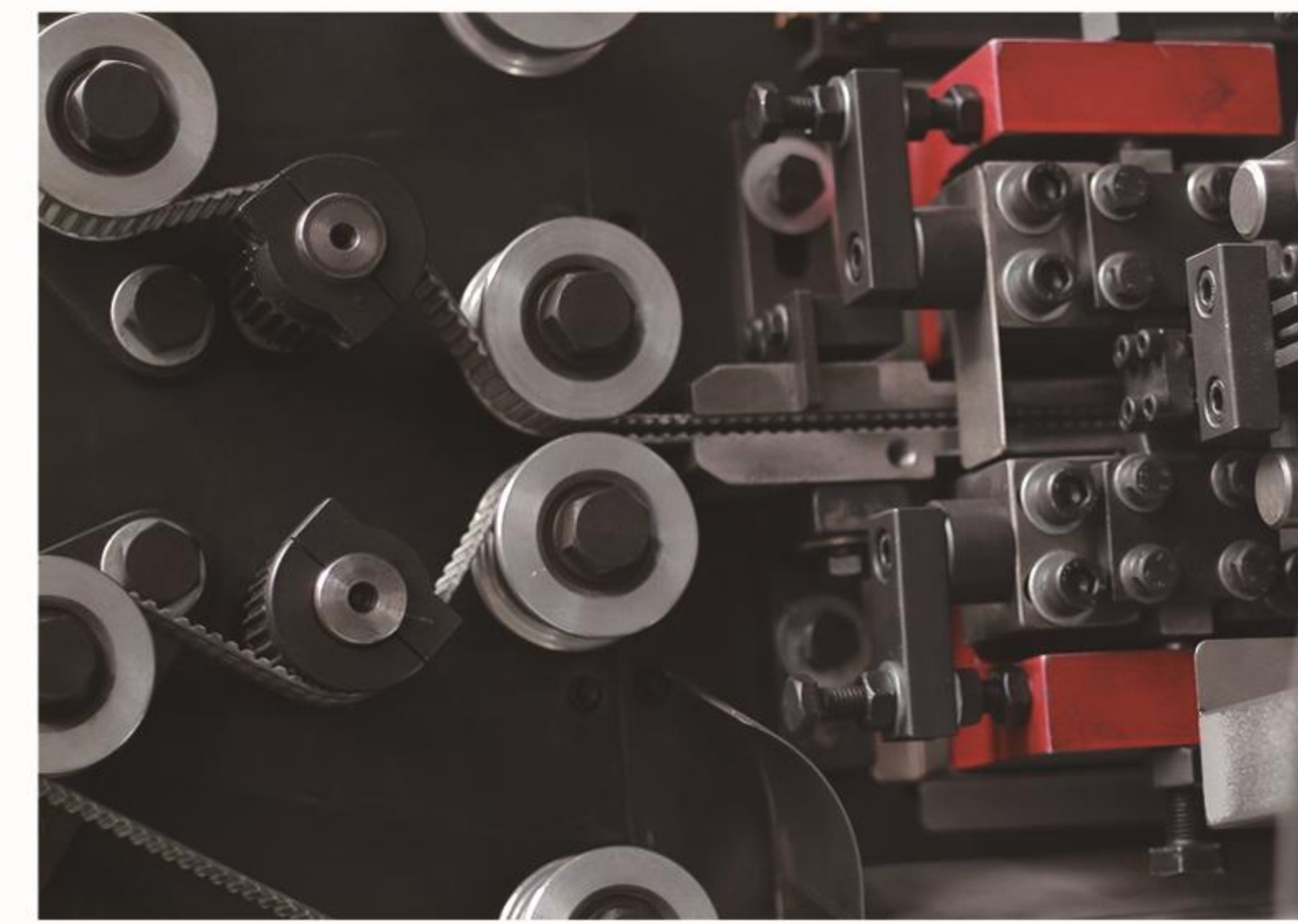


**Nail Polishing Machine**

Capacity: 1000kgs



### Inlet nozzle

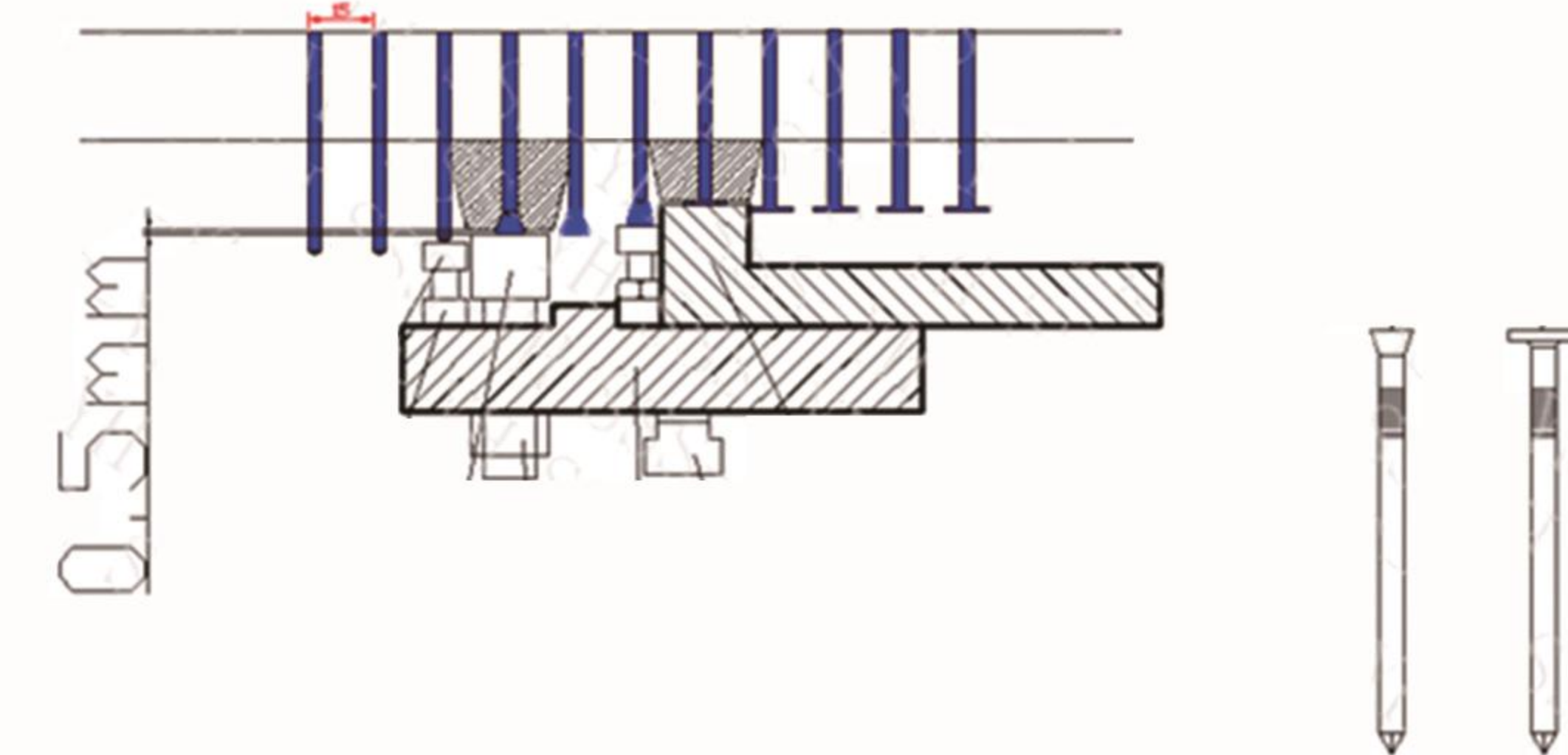
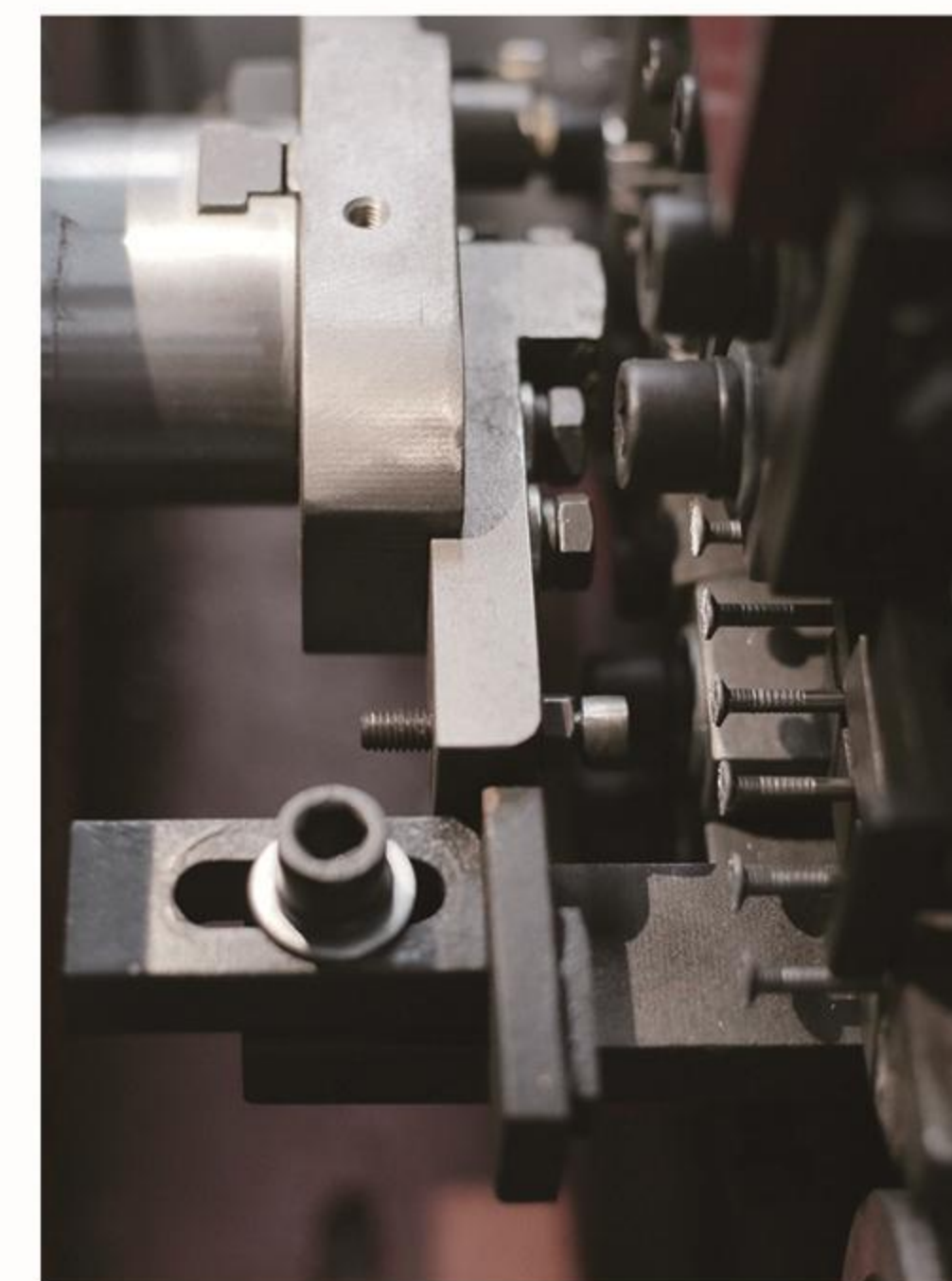


1. The inlet nozzle mainly serves as a wire guiding function to ensure that the direction of the wire is not biased and does not harm the belt.

Model No. / Name	SSS-ZDJ-X50	SSS-ZDJ-X90	SSS-ZDJ-X130B	SSS-ZDJ-X150	SSS-ZDJ-D90
Nail dia. range	2.0-3.0 mm	2.0-3.5 mm	2.5-4.5 mm	2.5-4.8mm	2.0-3.5 mm
Nail length range	32-50 mm	45-90 mm	70-130 mm	70-150 mm	45-90 mm
Nail making speed	≤ 800 pcs/min	≤ 760 pcs/min	≤ 600 pcs/min	≤ 700 pcs/min	≤ 700 pcs/min
Rated power	7 kw	7 kw	7 kw	13.2 kw	7 kw
Dimensions	1350*850*1170 1500*800*1600	1350*1200*1050 1500*800*1600	1550*1220*1050 1500*800*1600	1650*1250*1300 1500*800*1600	1350*1220*1050 1500*800*1600
Weight	2500kg	2800kg	3388kg	4200kg	2800kg

At present, most of nail manufacturers face the problems of : long and short nails, offcenter nail heads, diameter vibration of nail heads, flat heads, bent nails, and also the skill of the operators will affect the quality of nails. Each nail made from our machine is with perfect quality, and nail stuck will avoid of in the process of wire collating. Our machines will effectively help you to save production costs by our machine of improving production efficiency,saving energy and costing lower loss, also saving the cost of nail cutters, moulds and etc.

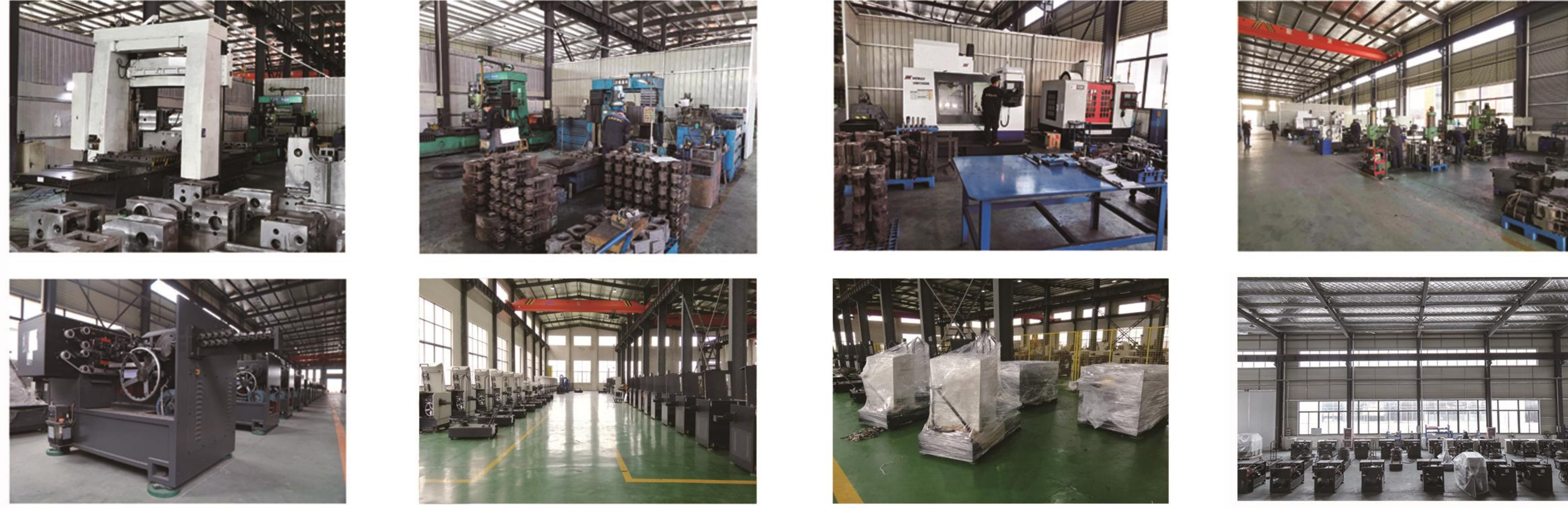
### Punch



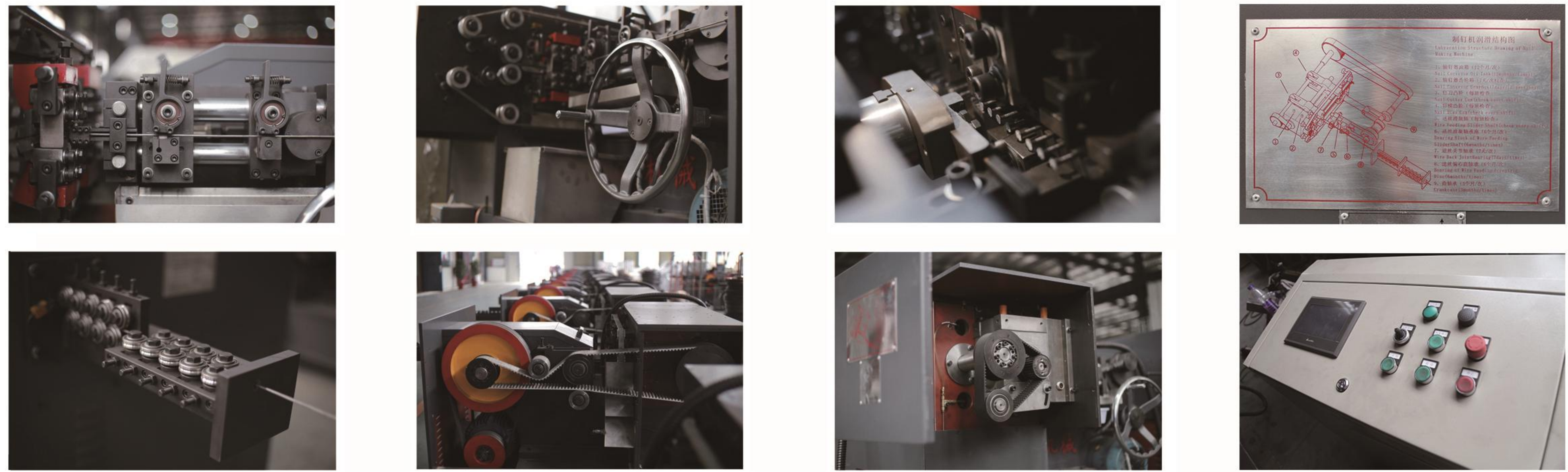
1. Forming a nail cap by impact.



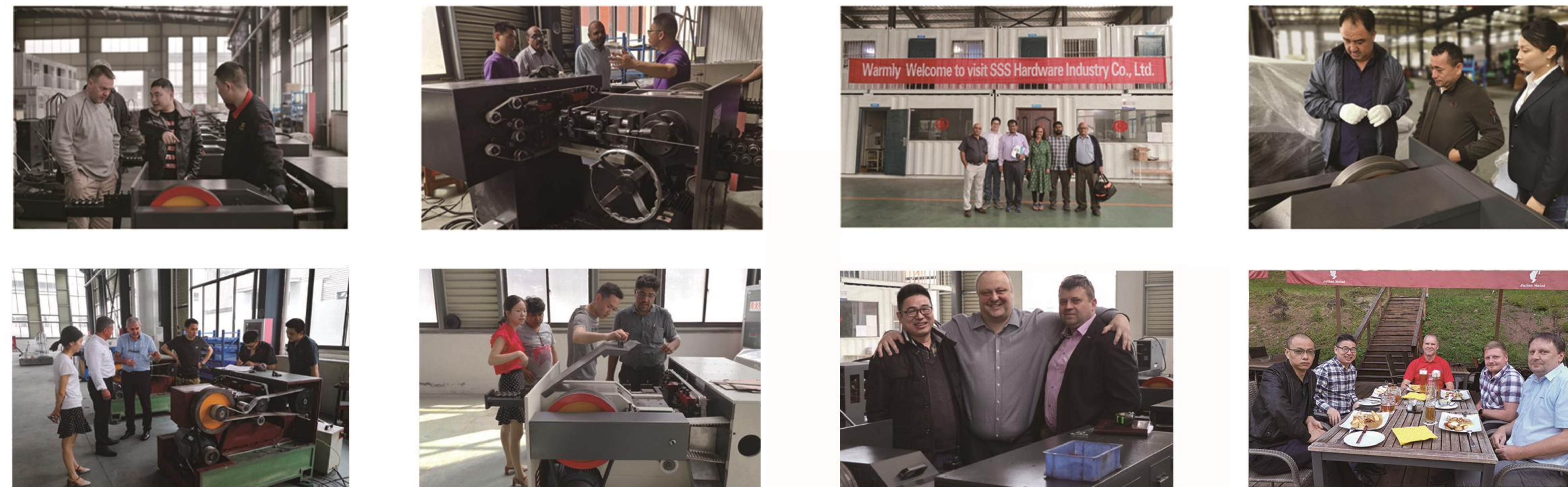
PRODUCTION WORKSHOP



MACHINE DETAILS

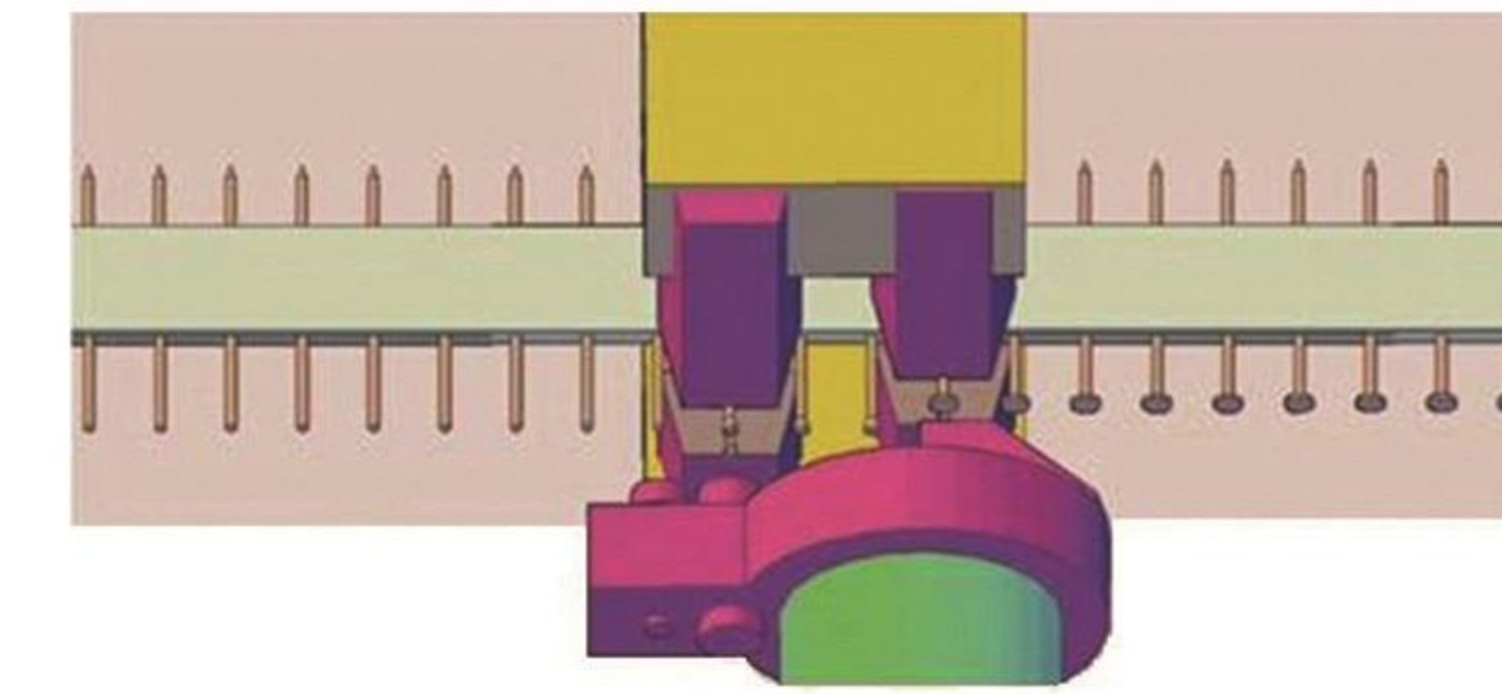


CUSTOMER VISITING



Features

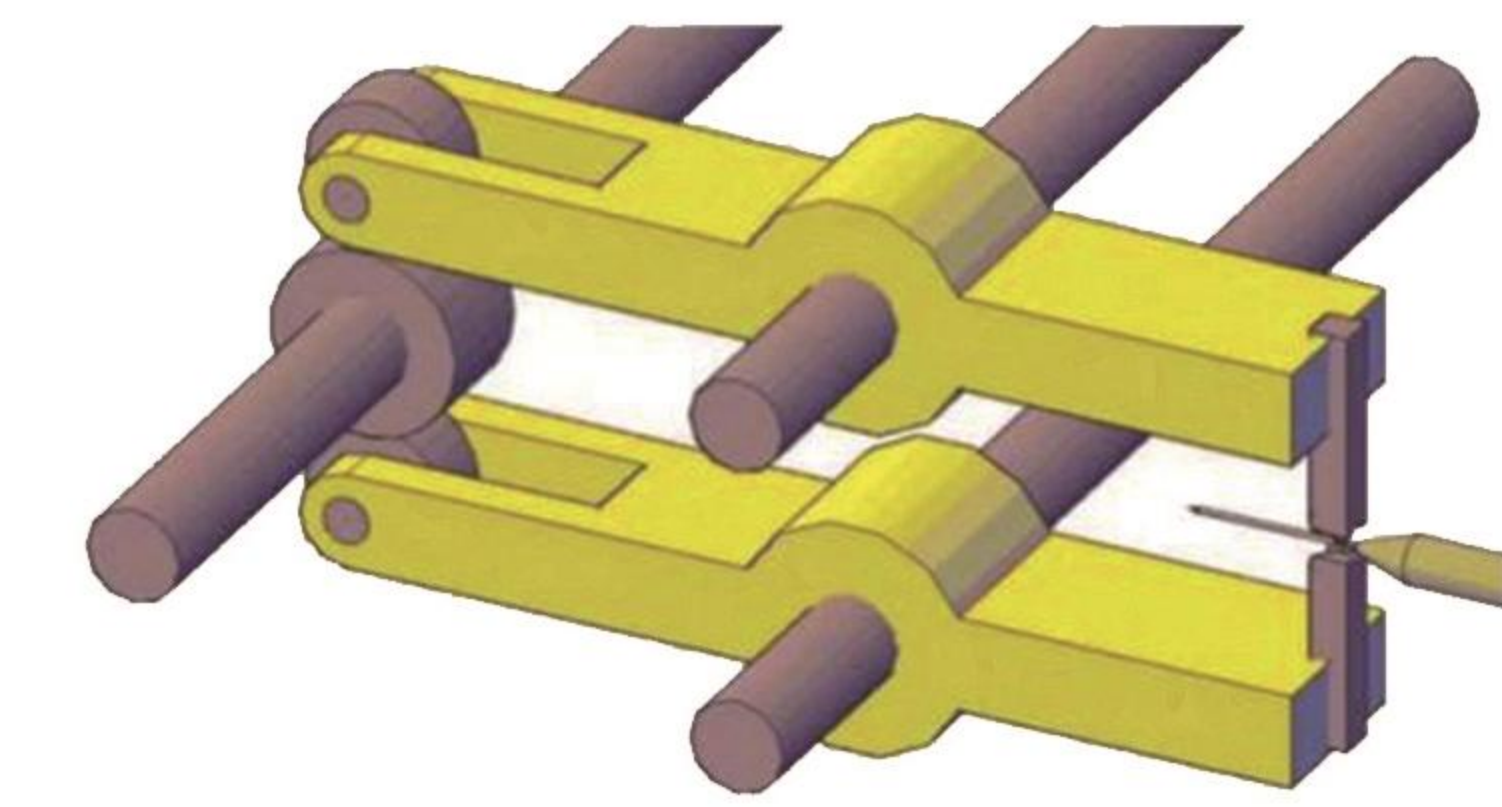
(1)



Unique patent, two-time heading double-dies and double-punches structure

- ① Bigger nail heads can be easily gotten
- ② Nail heads are always very round and in the center.
- ③ Nail head without knock marks, consistent and good looking Uniform thickness of the nail cap diameter.
- ④ Hollow design nail clamping dies, no small head, no ash blocking

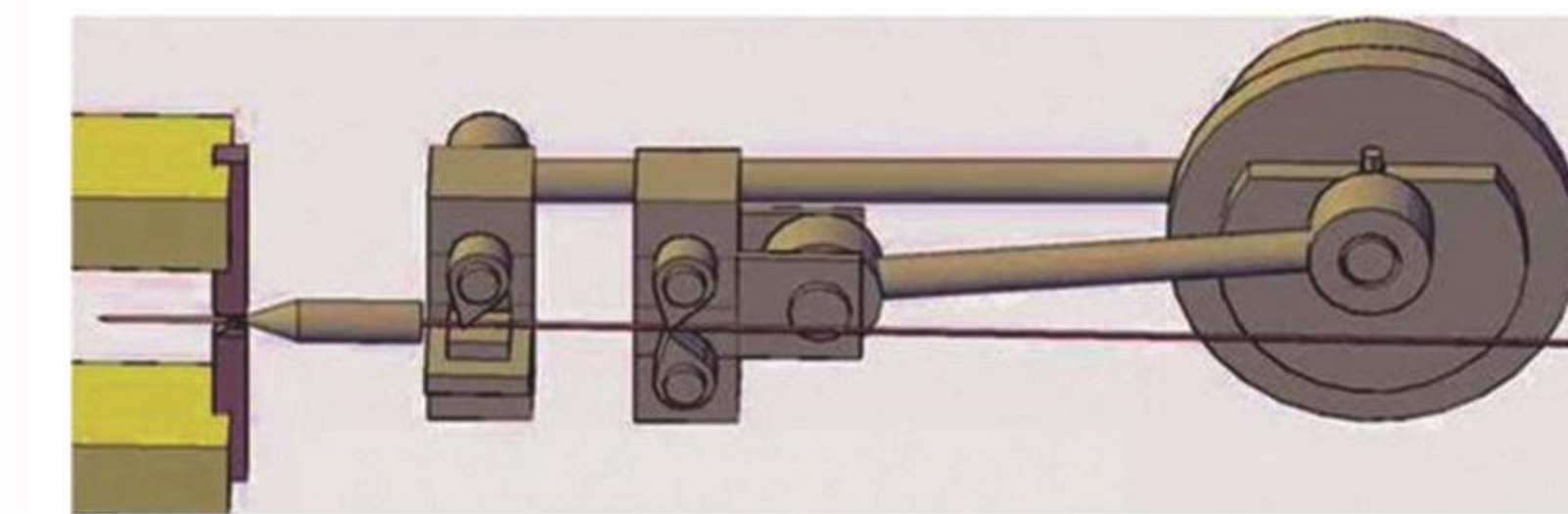
(2)



Nail cutter holder adopts pendulum structure

- ① Shorter stroke and lower mechanical wear
- ② High precision, nail cutters work without touch with longer service life.
- ③ One set of cutters' cutting times up to 10 million times.

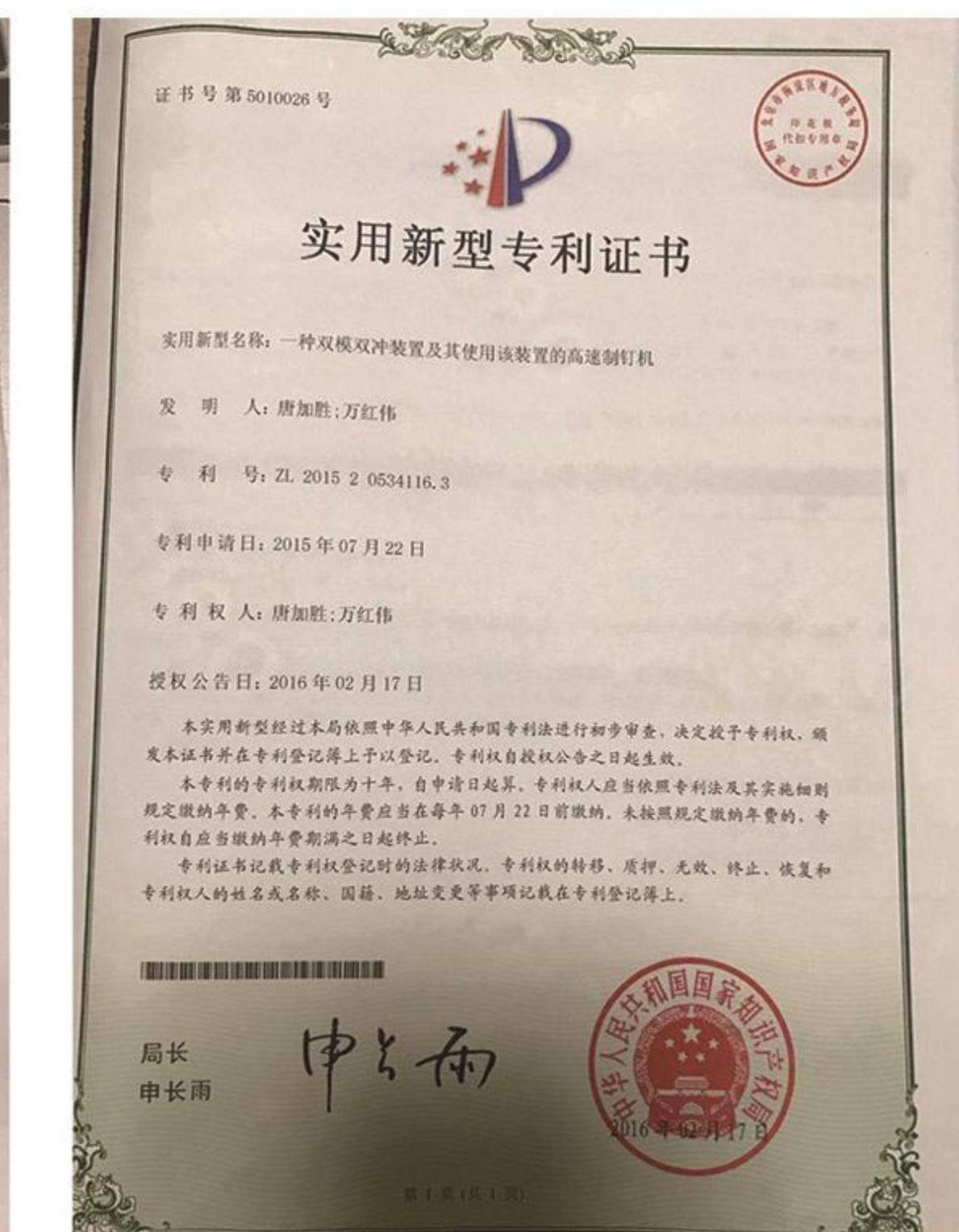
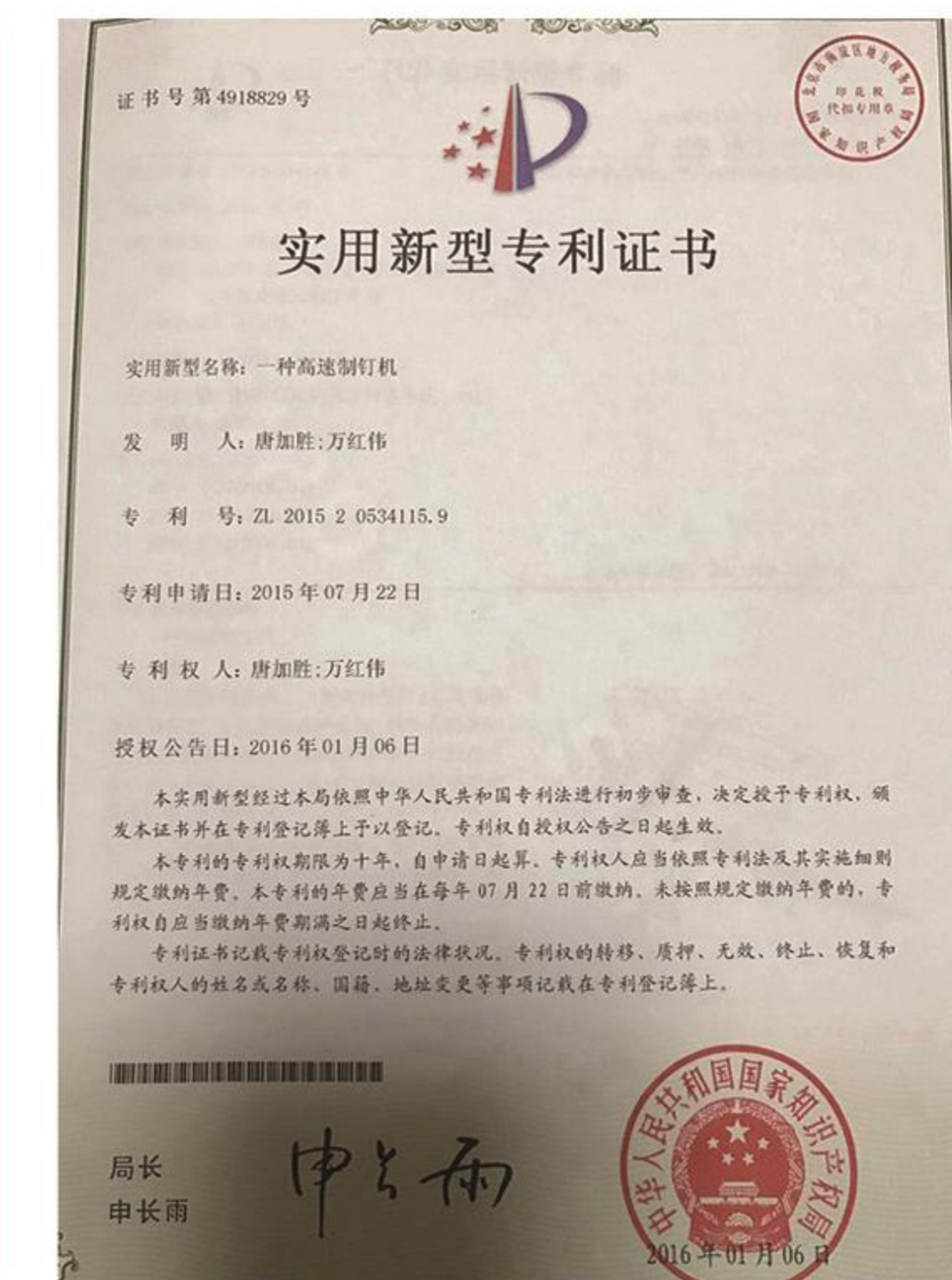
(3)



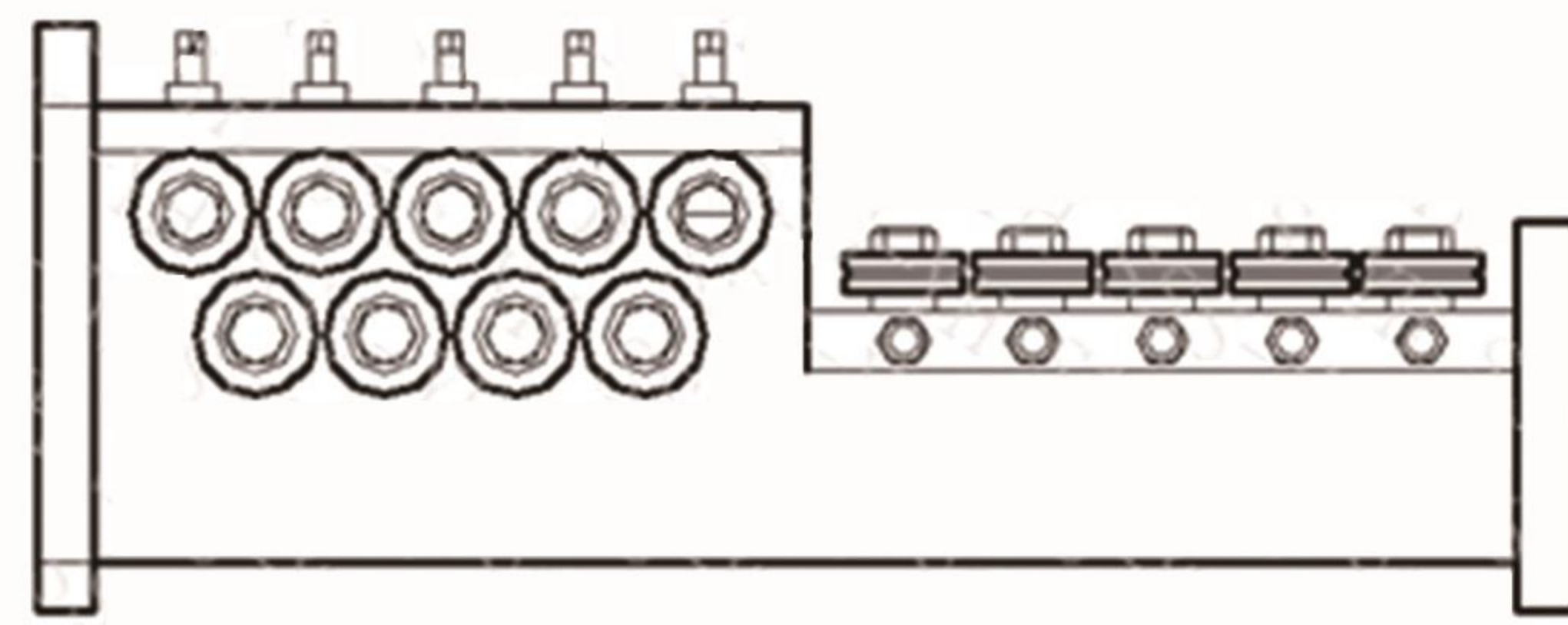
High-precision feeding and anti-backing structure to control the length error of each nail within 0.3mm

- Feeding and anti-backing structure
- ① High-precision feeding unit. Length difference can be controlled within 0.3mm
  - ② With unique wire feeding and anti-backing structure, the nail scraps can be completely separated from the nail shank to ensure quality.

One invention patent Two utility model patents

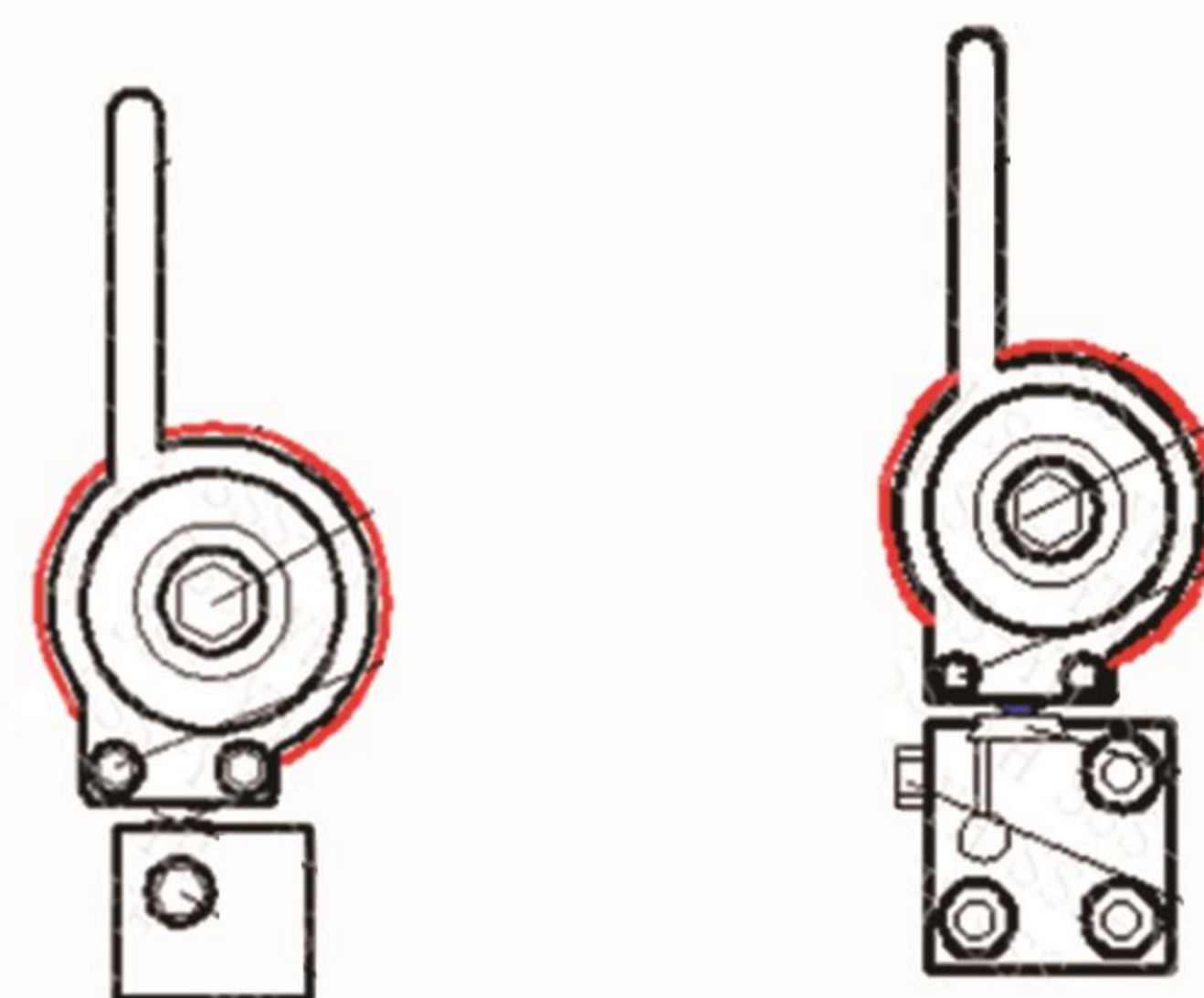
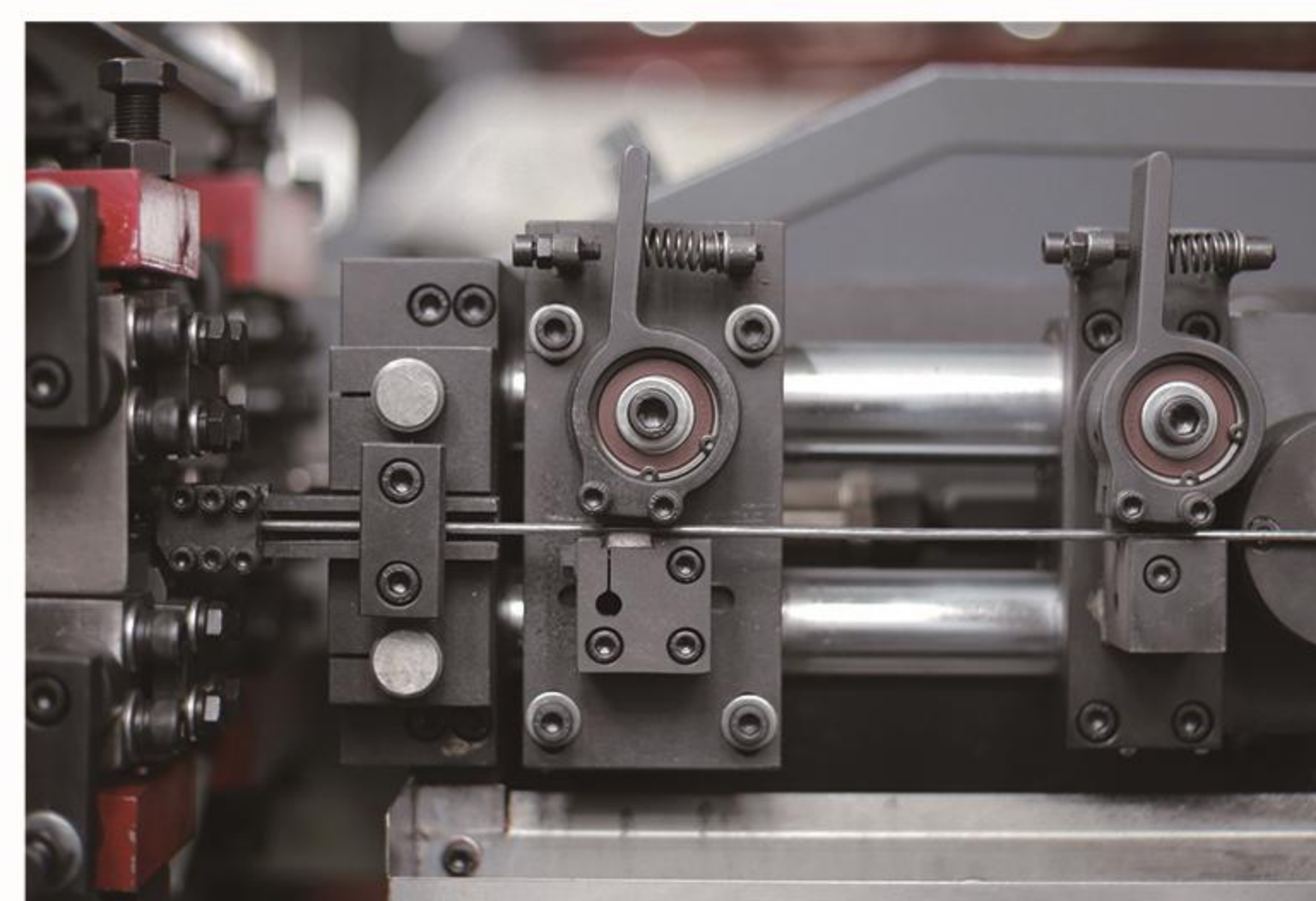


### Adjustment frame



1. The adjustment frame is mainly for straightening the wire to facilitate the wire feeding and cutting in the next step;

### Infeeding and outfeeding clip



1. The infeding clip is mainly used for stable wire feeding
2. The out feeding clip can stabilize the length of the wire feeding, ensuring that the length of the nail is consistent; the wire diameter will be the same as the diameter of the clips



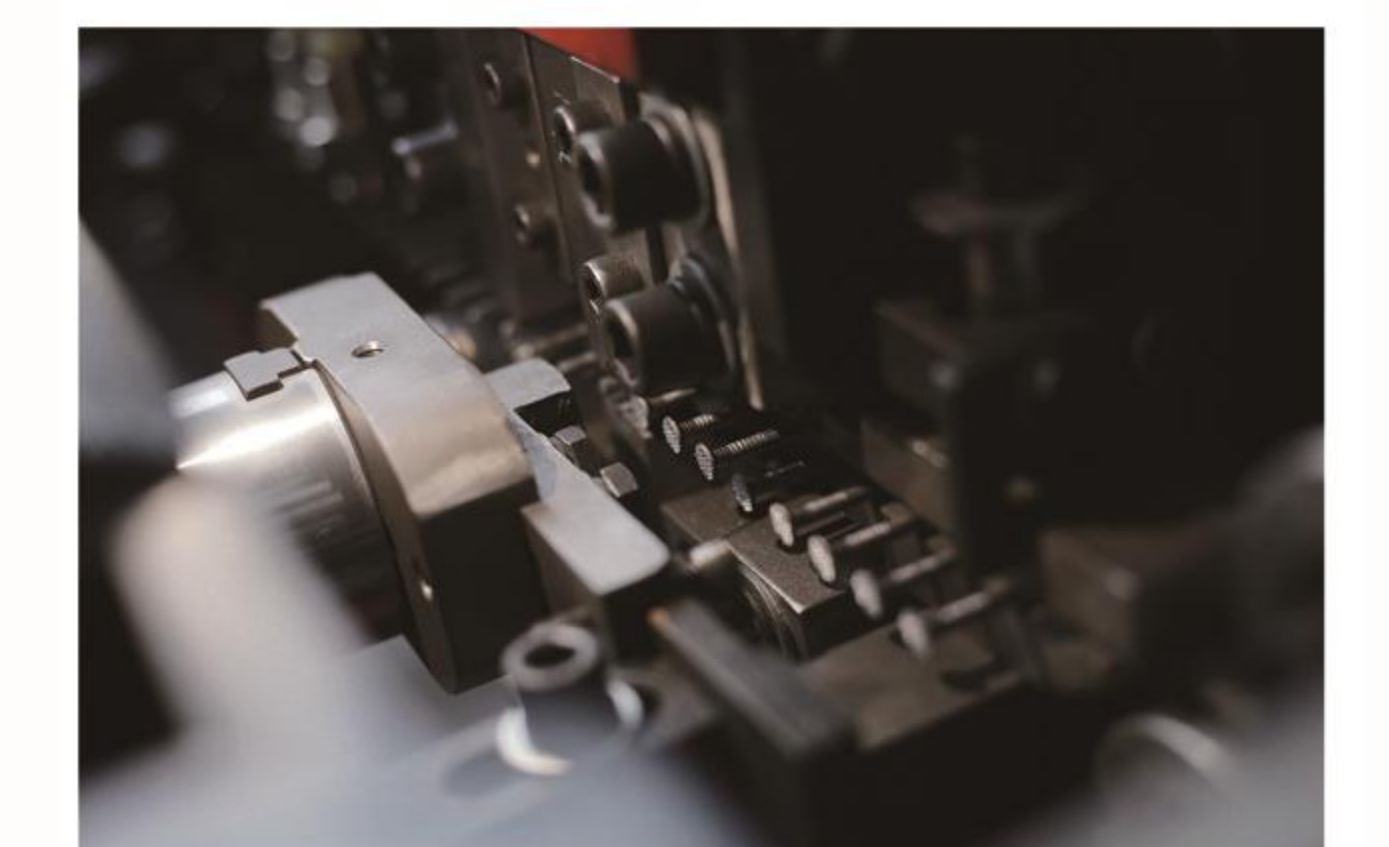
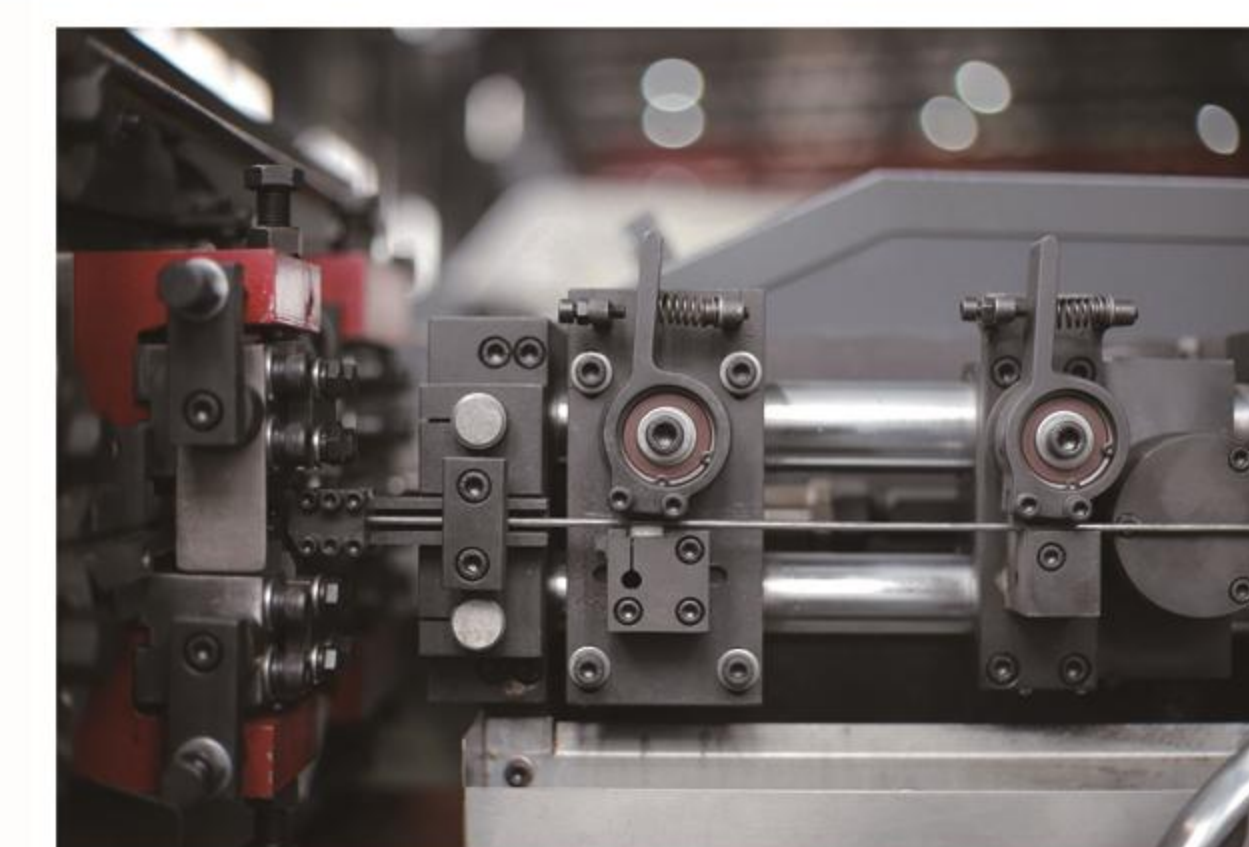
Power Cabinet



Main Machine

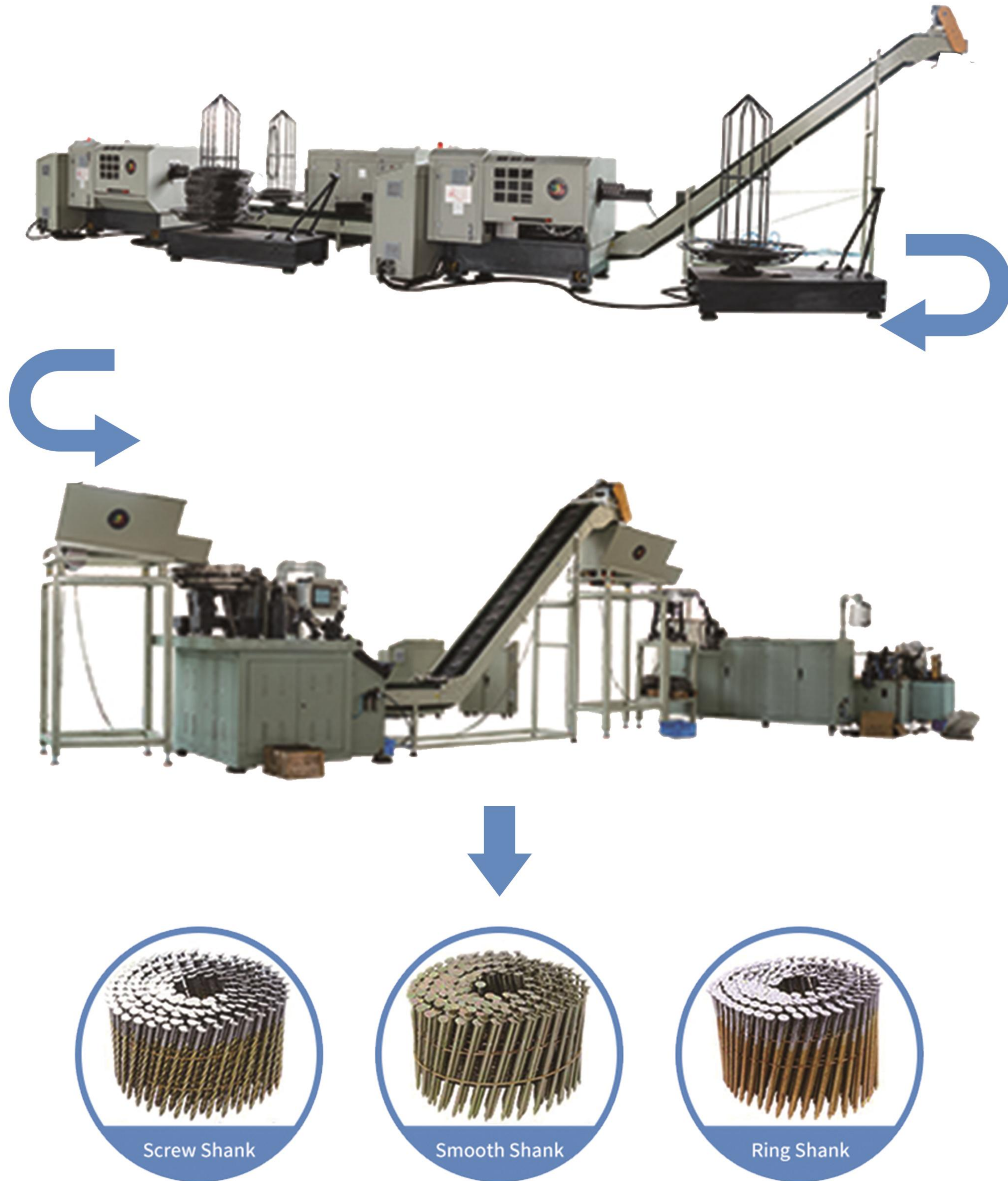


Pay-off





## Coil Nail Making Machine Production Line



## COMPANY PROFILE

SSS Hardware Industry Co., Ltd. has been a leading manufacturer and exporter of nail making machinery since 2010, our production scope covers the equipment to produce steel nails, wire coil nails, paper collating nails, plastic strip nails, plastic coil nails and other different kinds of special nails, such as corrugated nails, double-headed nails, square nails, umbrella nails, etc. Till now our customers are spread in Europe, Asia, Africa, South America, Middle East and other countries & regions, it can be said where there is a nail there is SSS nail making machine. We have become a long-term partner for many nail making factories and helped a number of nail making plants establish their own production lines in past years. Based on superior quality, competitive price and professional service, we have gained great approval and satisfaction from customers globally. We will continuously stick to the core principle of "Sincerity, Service and Success" and offer the best equipment for customers by virtue of keeping researching and developing. We are genuinely looking forward to co-operating and creating a bright future with you together.

